



LCFC Confidential

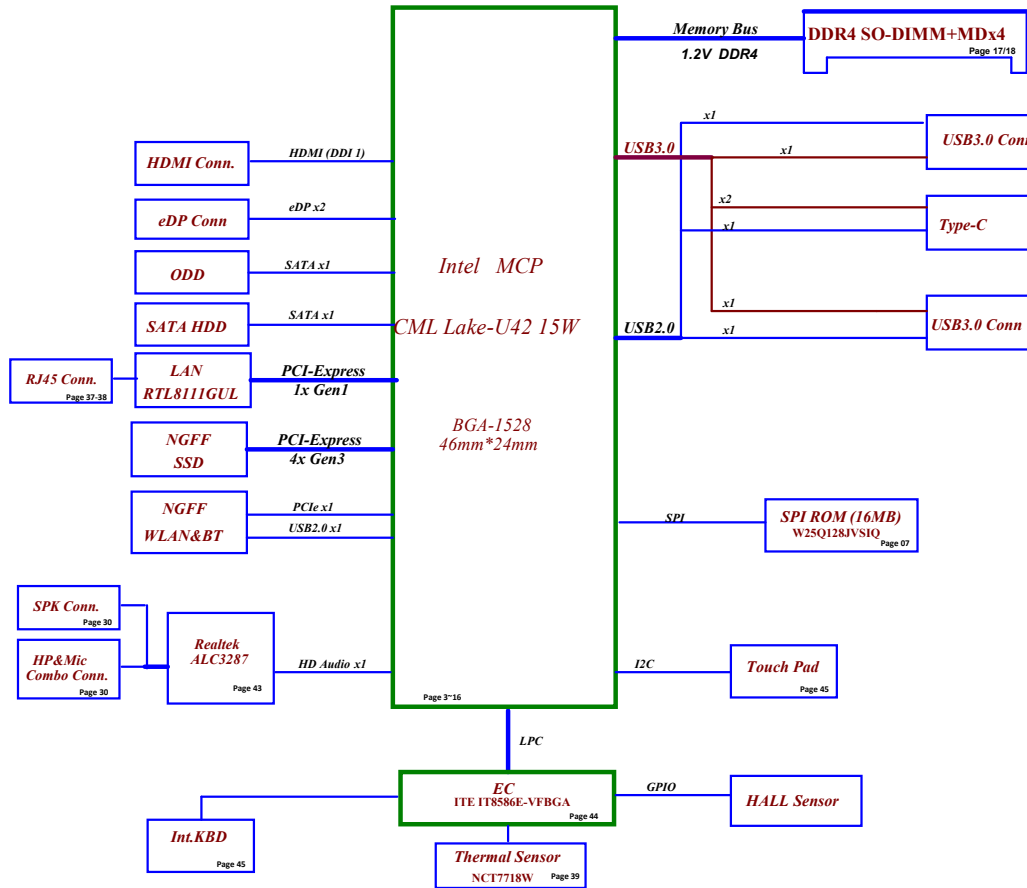
GS55C MB Schematics Document

CML U42 with DDR4 + Nvidia N16S-GTR/N17S-G4

2019-08

REV: 0.1

	Security Classification	LC Future Center Secret Data		Title	Cover Page		
	Issued Date	2019/07/20	Deciphered Date				2020/07/20
<small>THIS SHEET OF ENGINEERING DRAWING IS THE PROPRIETARY PROPERTY OF LC FUTURE CENTER, AND CONTAINS CONFIDENTIAL AND TRADE SECRET INFORMATION. THIS SHEET MAY NOT BE TRANSFERRED FROM THE CUSTODY OF THE COMPUTER DEPARTMENT EXCEPT AS AUTHORIZED BY LC FUTURE CENTER. NEITHER THIS SHEET NOR THE INFORMATION IT CONTAINS MAY BE USED BY OR DISCLOSED TO ANY THIRD PARTY WITHOUT PRIOR WRITTEN CONSENT OF LC FUTURE CENTER.</small>				Doc No.	GS55C	Rev	0.1
				Date:	Sunday, November 10, 2019	Sheet	1 of 81



Security Classification	LC Future Center Secret Data		Title	
Issued Date	2019/07/20	Deciphered Date	2020/07/20	
THIS SHEET OF ENGINEERING DRAWING IS THE PROPRIETARY PROPERTY OF LC FUTURE CENTER, AND CONTAINS CONFIDENTIAL AND TRADE SECRET INFORMATION. THIS SHEET MAY NOT BE TRANSFERRED FROM THE CUSTODY OF THE COMPUTER DEPARTMENT EXCEPT AS AUTHORIZED BY LC FUTURE CENTER. NEITHER THIS SHEET NOR THE INFORMATION IT CONTAINS MAY BE USED BY OR DISCLOSED TO ANY THIRD PARTY WITHOUT PRIOR WRITTEN CONSENT OF LC FUTURE CENTER.				Document Number G555C
Date: Saturday, November 16, 2019				Rev: 0.1 Sheet: 2 of 81